

NOTES:

1. IN "MAIN" POSITION, AUXILIARY IF AMPLIFIER HAS A SEPARATE AGC LOOP. IN "AUX" POSITION MAIN IF AMPLIFIER HAS A SEPARATE AGC LOOP
2. THE VIDEO SWITCH SELECTS DEVIATION METER, FM, AM, PM, AND SYNC AM FROM "MAIN" OR "AUXILIARY" CHANNELS.

Figure 1-2. Model ADU-15 IF Amplifier/Demodulator Unit Block Diagram

\* Cap Replaced with 47µF

MICROHOUSE

- NOTE:
- UNLESS OTHERWISE NOTED:  
CAPACITOR VALUES LESS THAN ONE ARE IN MICROFARADS.  
CAPACITOR VALUES GREATER THAN ONE ARE IN PICOFARADS (MICROMICROFARADS).  
INDUCTANCE VALUES ARE IN MICROHENRYS.  
RESISTOR VALUES ARE IN OHMS, K 1,000, M 1,000,000.
  - INTERNAL ADJUSTMENT.
  - ARROW DENOTES CLOCKWISE ROTATION.
  - OPERATING CONTROL.
  - PARTIAL REFERENCE DESIGNATIONS ARE SHOWN; FOR COMPLETE IDENTIFICATION PREFIX WITH THE UNIT NUMBER OR SUB-ASSEMBLY DESIGNATION.
  - \* TYPICAL VALUE.

HIGHEST REF. DESIGNATION USED			
A2	J18	S7	CR27
B1	K2	T1	DS1
C58	L10	V11	E63
Q13	W8	F2	R125
Z2			
REF. DESIGNATION NOT USED			
C9	C18	C26	

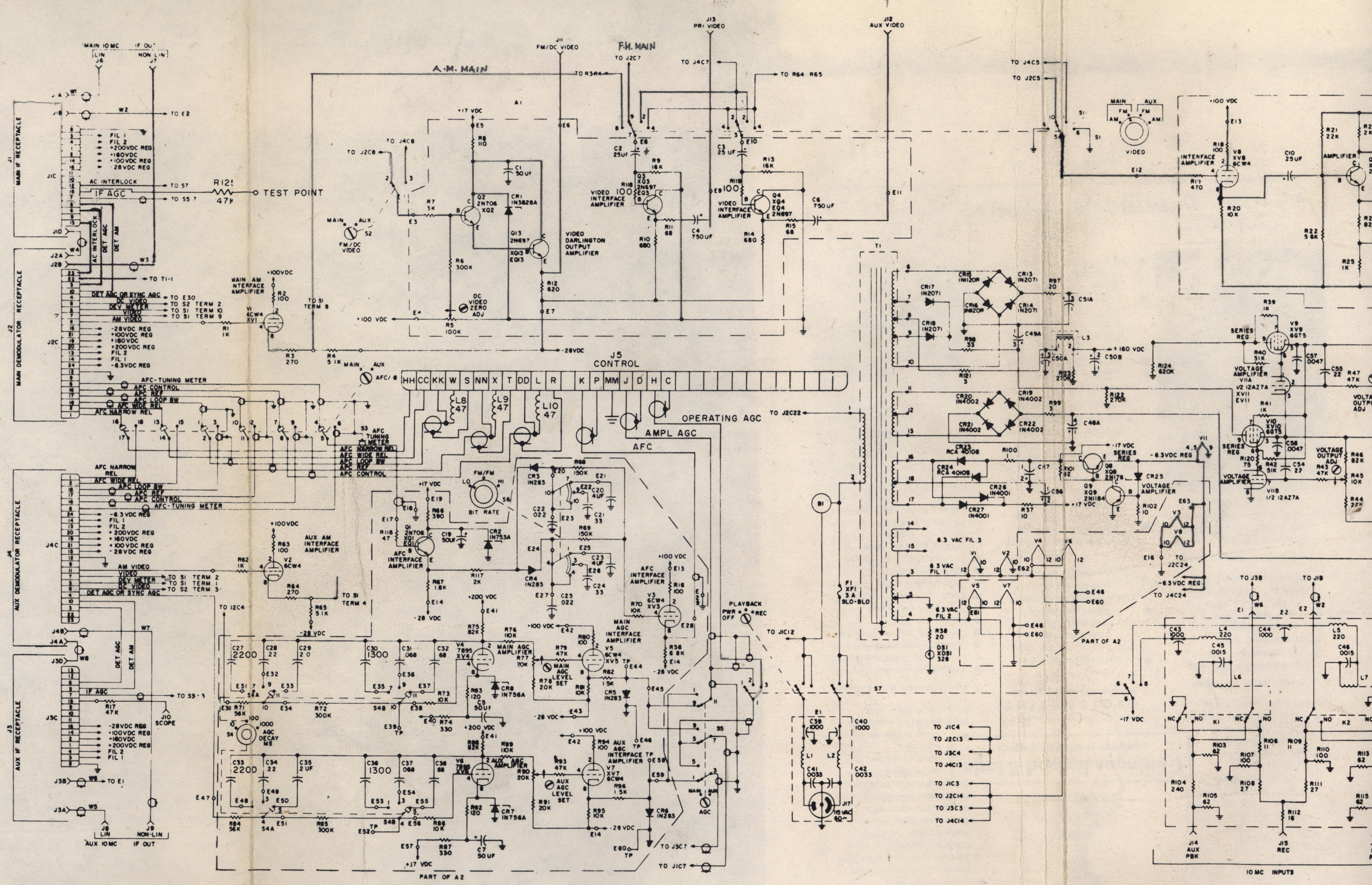


Figure 7-

\* Cat Replaced with 474f

NOISE

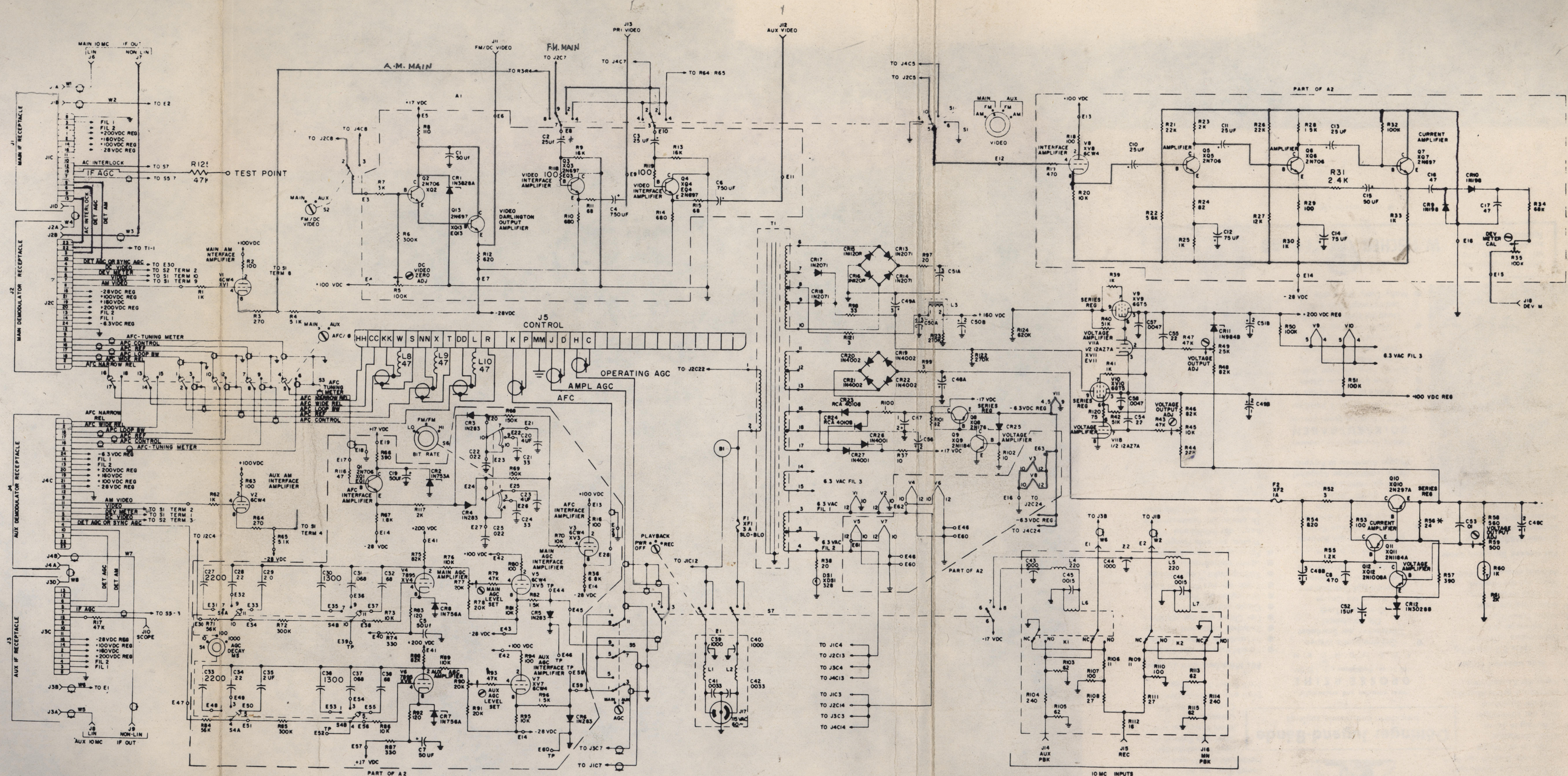
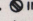
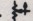
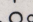
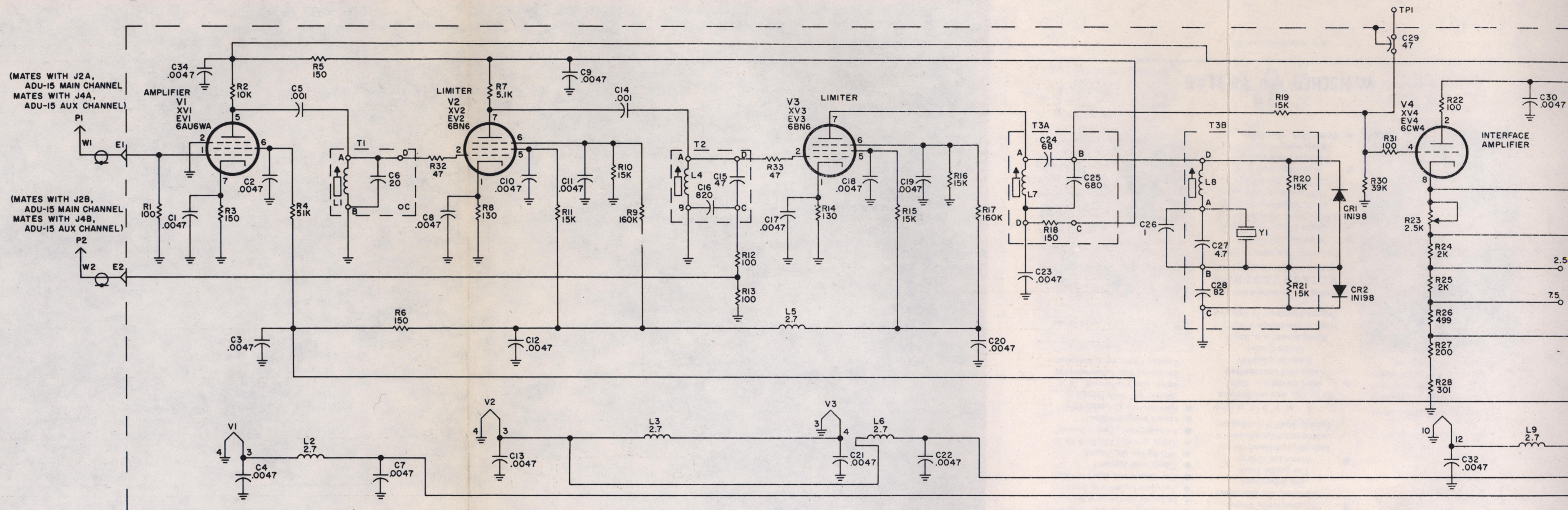


Figure 7-1. Model ADU-15 IF Amplifier/Demodulator Unit Schematic Diagram

NOTE:

1. UNLESS OTHERWISE NOTED:  
CAPACITOR VALUES LESS THAN ONE ARE IN MICROFARADS.  
CAPACITOR VALUES GREATER THAN ONE ARE IN PICO FARADS (MICROMICROFARADS).  
INDUCTANCE VALUES ARE IN MICROHENRYS.  
RESISTOR VALUES ARE IN OHMS,  
K=1,000, M=1,000,000.
2.  INTERNAL ADJUSTMENT.
3.  ARROW DENOTES CLOCKWISE ROTATION.
4.  OPERATING CONTROL.
5. PARTIAL REFERENCE DESIGNATIONS ARE SHOWN; FOR COMPLETE IDENTIFICATION PREFIX WITH THE UNIT NUMBER OR SUB-ASSEMBLY DESIGNATION.
6. \* TYPICAL VALUE.

HIGHEST REF. DESIGNATION USED			
C34	T3	L9	TP1
P3	V4	R33	CR2
S1	Y1		
REF. DESIGNATION NOT USED			



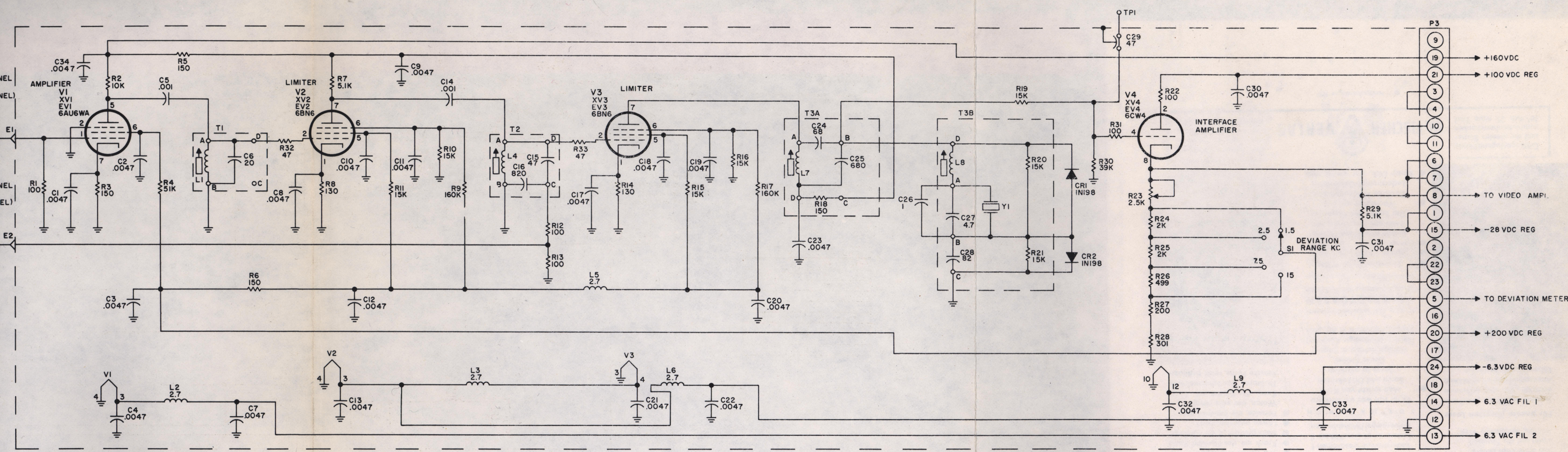


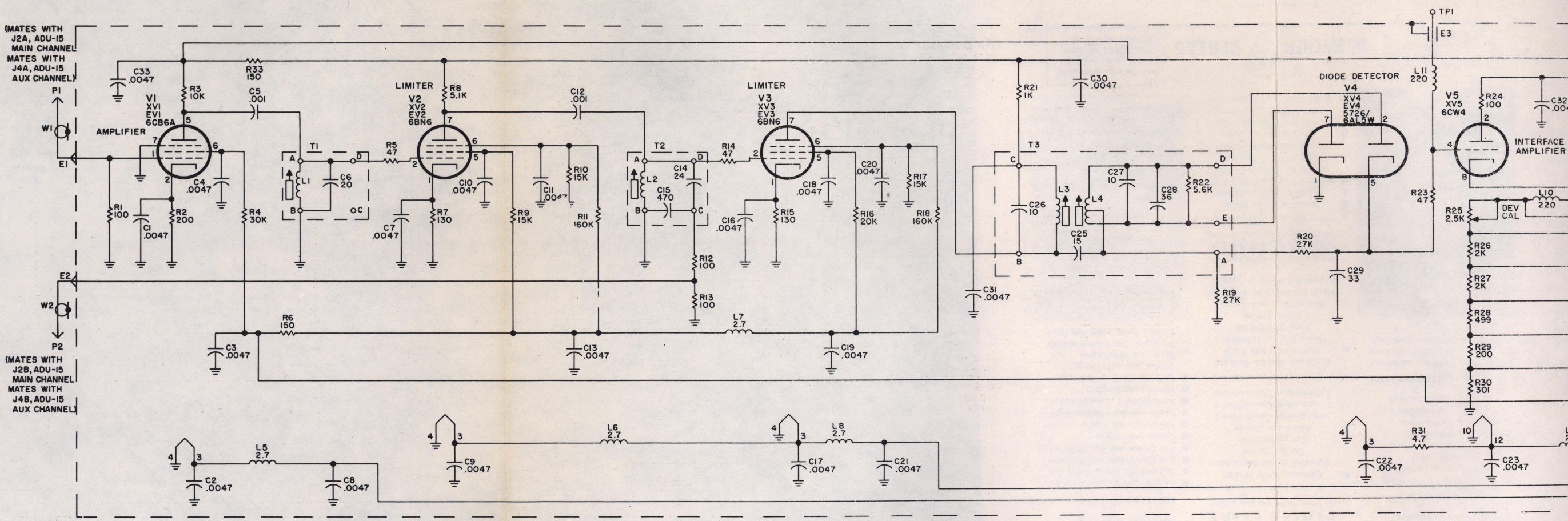
Figure 7-12. Model FMD-A15 FM Demodulator Schematic Diagram R20-854

6

NOTE:

1. UNLESS OTHERWISE NOTED:  
CAPACITOR VALUES LESS THAN ONE ARE IN MICROFARADS.  
CAPACITOR VALUES GREATER THAN ONE ARE IN PICO FARADS (MICROMICROFARADS).  
INDUCTANCE VALUES ARE IN MICROHENRYS.  
RESISTOR VALUES ARE IN OHMS, K=1000, M=1,000,000.
2. INTERNAL ADJUSTMENT.
3. ARROW DENOTES CLOCKWISE ROTATION.
4. OPERATING CONTROL.
5. PARTIAL REFERENCE DESIGNATIONS ARE SHOWN; FOR COMPLETE IDENTIFICATION PREFIX WITH THE UNIT NUMBER OR SUB-ASSEMBLY DESIGNATION.
6. \* TYPICAL VALUE.

HIGHEST REF. DESIGNATION USED			
C34	T3	L11	TP1
P3	V5	R33	XV5
S1	EV5		
REF. DESIGNATION NOT USED			



(MATES WITH J2A, ADU-15 MAIN CHANNEL  
MATES WITH J4A, ADU-15 AUX CHANNEL)

(MATES WITH J2B, ADU-15 MAIN CHANNEL  
MATES WITH J4B, ADU-15 AUX CHANNEL)

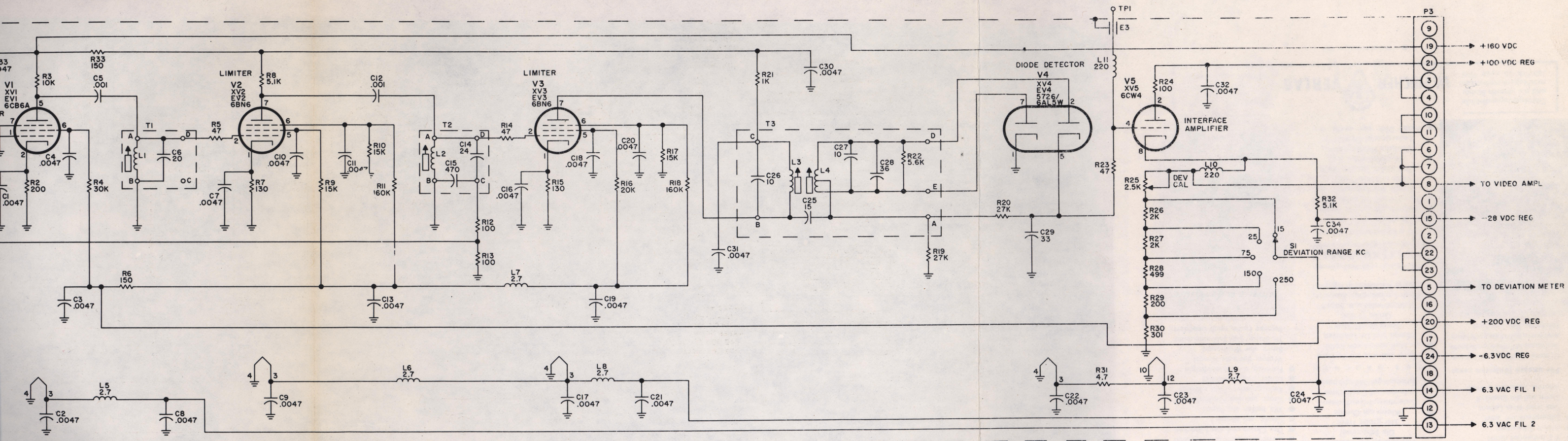


Figure 7-13. Model FMD-B15 FM Demodulator Schematic Diagram R20-813

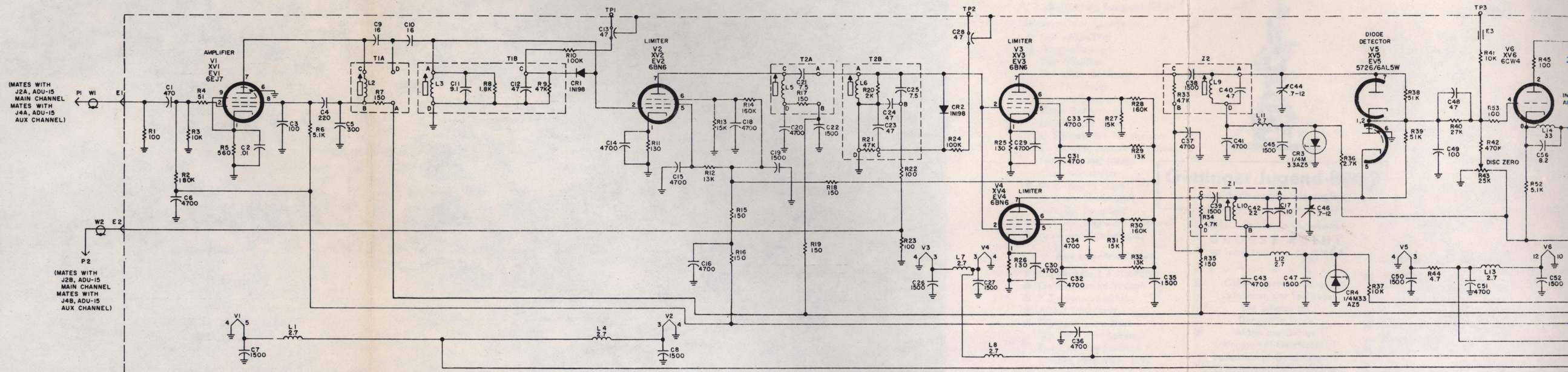
7



NOTE:

1. UNLESS OTHERWISE NOTED, CAPACITOR VALUES LESS THAN ONE ARE IN MICROFARADS.
2. CAPACITOR VALUES GREATER THAN ONE ARE IN PICOFARADS (MICROMICROFARADS).
3. INDUCTANCE VALUES ARE IN MICROHENRYS.
4. RESISTOR VALUES ARE IN OHMS, K=1,000, M=1,000,000.
5. INTERNAL ADJUSTMENT.
6. ARROW DENOTES CLOCKWISE ROTATION.
7. OPERATING CONTROL.
8. PARTIAL REFERENCE DESIGNATIONS ARE SHOWN FOR COMPLETE IDENTIFICATION. PREFIX WITH THE UNIT NUMBER OR SUB-ASSEMBLY DESIGNATION.
9. \* TYPICAL VALUE.

HIGHEST REF. DESIGNATION USED	C56	T2	L14	TP3
	P3	V6	R53	CR4
	S1	Z2		
REF. DESIGNATION NOT USED				



(MATES WITH J2A, ADU-15 MAIN CHANNEL MATES WITH J4A, ADU-15 AUX CHANNEL)

(MATES WITH J2B, ADU-15 MAIN CHANNEL MATES WITH J4B, ADU-15 AUX CHANNEL)

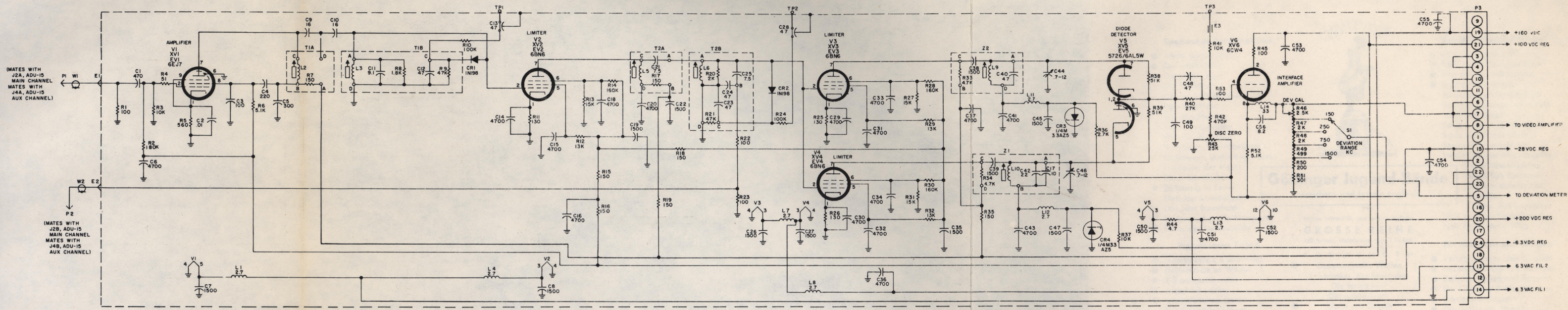


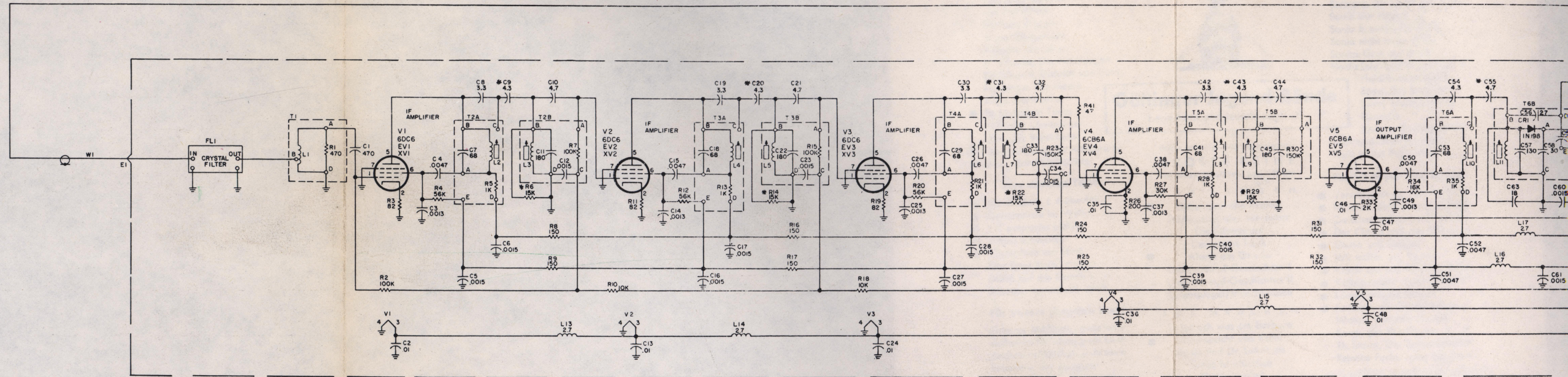
Figure 7-14. Model FMD-C15 FM D modulator Schematic Diagram R21-064

8

NOTE:

1. UNLESS OTHERWISE NOTED, CAPACITOR VALUES LESS THAN ONE ARE IN MICROFARADS, CAPACITOR VALUES GREATER THAN ONE ARE IN PICOFARADS (IN MICROFARADS).
2. INTERNAL ADJUSTMENT.
3. ARROW DENOTES CLOCKWISE ROTATION.
4. OPERATING CONTROL.
5. PARTIAL REFERENCE DESIGNATIONS ARE SHOWN. FOR COMPLETE IDENTIFICATION REFER WITH THE UNIT NUMBER OR SUB-ASSEMBLY DESIGNATION.
6. \* TYPICAL VALUE.

HIGHEST REF. DESIGNATION USED			
L17	C64	V5	R41
REF. DESIGNATION NOT USED			



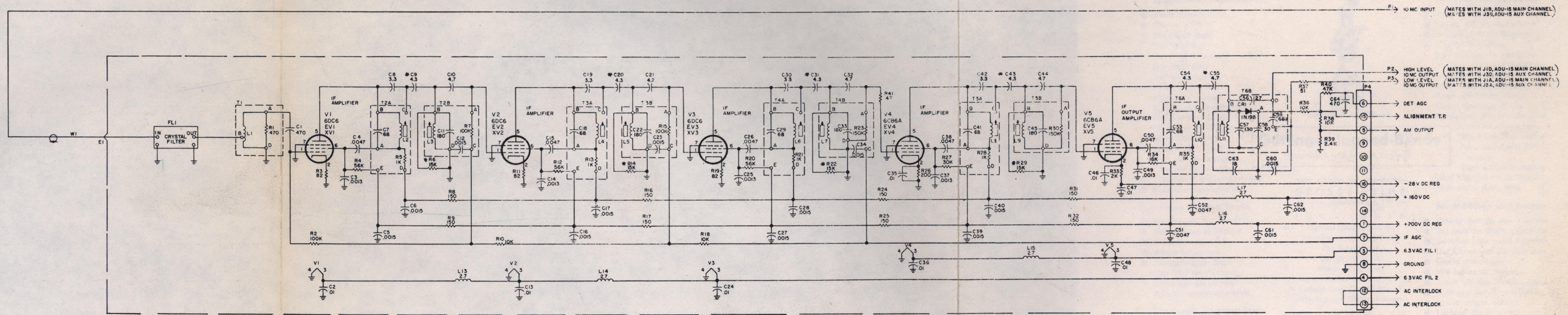


Figure 7-2. IFA-A15 IF Amplifier, 10 Kc Bandwidth Schematic Diagram.

5